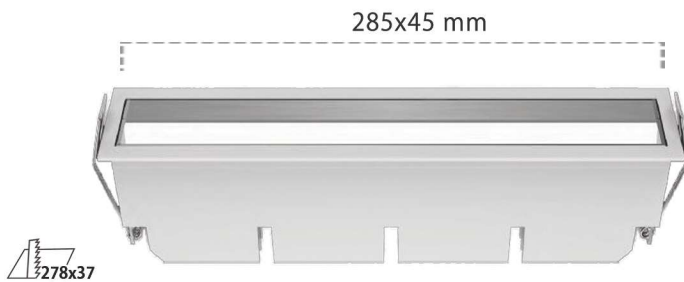
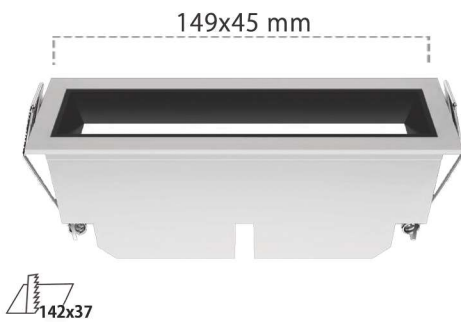
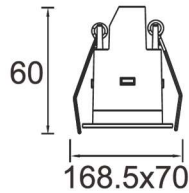




## Dimensions



## Product Data

Technical Region: 220V-240V/50Hz-60Hz

LED Chip: Osram

Wattage: 13W , 24W

Luminaire Efficiency: 95lm/W

Colour deviation: <3 SDCM

Lumen maintenance: L80/B10≤50000h

LED failure rate: 0.1%≤50000h

Energy efficiency class : A+

Color Rendering Index: >90

Power Factor: 0.9

Ingress protection code : IP20

Mech. impact protection code : IK02

Driver

Type: Constant Current

Standard : Non Dimmable

Optional: 0/1-10V, DALI, TRIAC

Beam Angle



Color Temperature



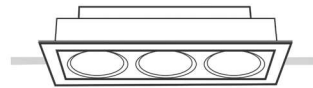
## CASTEL

- by AXOM LIGHTS

AX.WRW.24758

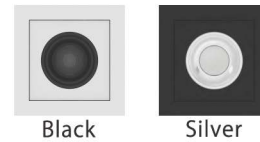
Castel is designed and developed by Axom lights Italy. Made with die-cast aluminum which provides high thermal conductivity. Uses international top LED chip. This wall washer light is specifically designed to reduce glare and provide balanced, comfortable lighting. More than 50,000 hours life span.

## Mounting



Recessed Ceiling

## Reflector Finishes



Black

Silver

## Finishes

○ White ● Black

